

SMARTPLY®

SITEPROTECT / SITEPROTECT PLUS

TECHNICAL RECOMMENDATIONS

TRANSPORTATION, STORAGE AND HANDLING

Careful transportation, storage and handling are important to maintain panels in optimum condition prior to use.

- 1 Panels should be stacked flat and supported upon a minimum of three equally spaced bearers (full packs come with bearers already attached).
- 2 Panels should never be stacked on their edges otherwise panel distortion and damage to the edge coating may result.
- 3 Although the SMARTPLY SITEPROTECT range is designed and manufactured for external use it is still necessary to protect the panels from the elements during storage, to avoid damage to the face and edge coatings. All packs leaving the factory are protected by a polythene wrapping and have bearers strapped to the undersides. Re-use polythene wrapping to provide weather protection to open packs during erection or site delays.
- 4 When transporting the SMARTPLY SITEPROTECT range in less than full pack quantities, panels must be adequately covered and banded (ensuring edge protectors are used top and bottom to avoid damage by the bands).
- 5 Do not leave packs or panels exposed to the weather prior to erection.
- 6 Do not allow water to pool on the surface of open packs or panels during erection.

IMPORTANT NOTES

The recommendations for the correct use of the SMARTPLY SITEPROTECT range is specifically designed to ensure longevity and performance of this quality product in service. It is therefore essential that these recommendations are strictly followed. The product is designed to be installed by a competent general builder, or a contractor, experienced with this type of product. SMARTPLY EUROPE DAC cannot be held responsible for damages arising from non-adherence to these recommendations, or product failures resulting from inadequate structural design or misuse of this product.

INSTALLATION

To obtain the optimum performance and life expectancy of the SMARTPLY SITEPROTECT range, the product must be installed as follows:

Prior to erecting SITEPROTECT panels, ensure that the timber hoarding frame has been constructed to a suitable specification that provides adequate support for panel edges and fixings (this will prevent panel distortion). As with all site hoarding panels the performance of SMARTPLY SITEPROTECT range will depend on the time and severity of exposure to the elements. Slight distortion of panels may occur as a result of extreme exposure and poor site workmanship. Therefore, to obtain the optimum performance and life expectancy of the product please install as follows:

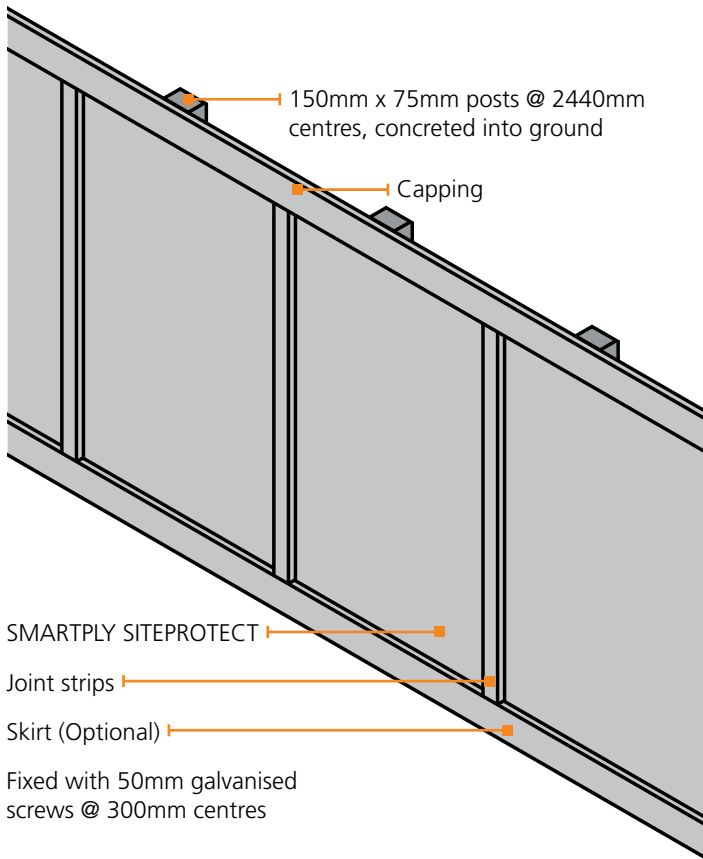
- 1 Paint all panel edges with a liberal coating of a quality exterior grade oil / solvent based gloss paint. Pay particular attention to any cut edges and the short edge that will form the top of the hoarding, as this will be exposed to the worst of the elements (we recommend top capping to provide extra protection).
- 2 Ensure panels in the SMARTPLY SITEPROTECT range are erected a minimum of 50mm above soil and well clear of any low-lying water.
- 3 Provide a minimum 3mm expansion gap between panels when erecting on to the timber framing (we recommend joint strips to provide extra protection).
- 4 Provide a minimum 10mm expansion gap where panels abut walls and other solid surfaces (we recommend a joint strip to provide extra protection).
- 5 Fix panels to supporting timber framing with 50mm galvanized screws ensuring these are spaced at between 200 – 300mm centres. Ensure that screw heads finish flush with the panel surface (we recommend the use of a depth sensitive bit holder and that it is adjusted accurately).
- 6 Paint all screw heads* using a liberal application of a quality exterior grade oil / solvent based gloss paint.
*If the screw heads are mistakenly driven below the panel surface, the screw holes must be filled with a quality exterior grade flexible wood filler, allowed to dry, and then painted over with oil / solvent based gloss paint.
- 7 Fix joint strips, top and bottom skirting and top capping, taking care not to damage the panel edges.
- 8 Finally paint the pre-coated side of the SMARTPLY SITEPROTECT panels with two coats of gloss paint in a colour and design of your choice.

For best results, we recommend the use of a quality exterior grade oil / solvent based gloss paint.

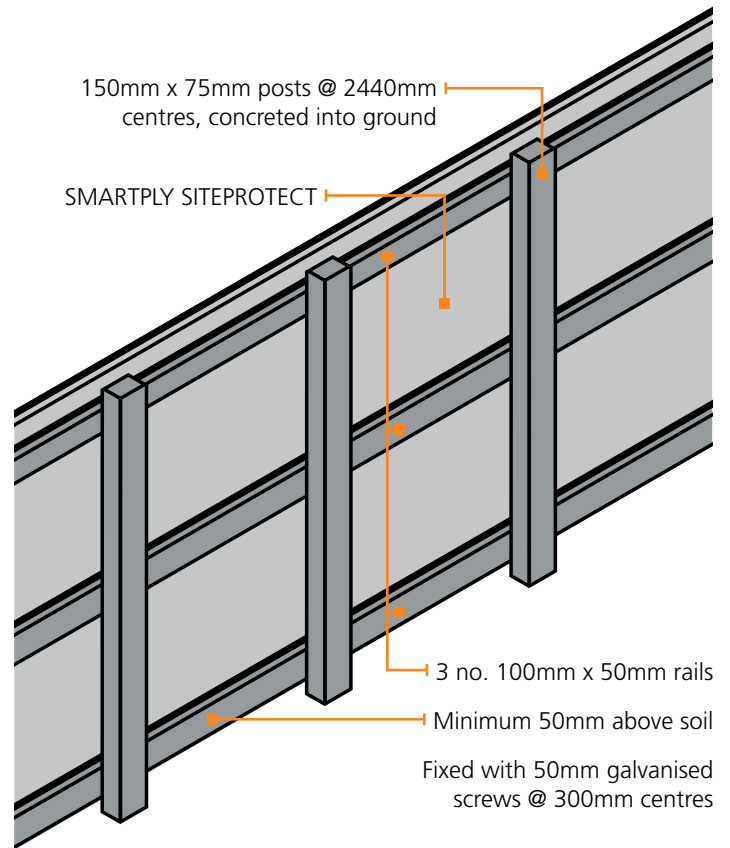
SMARTPLY® SITEPROTECT / SITEPROTECT PLUS

TYPICAL HOARDING ERECTION SPECIFICATION

FRONT ELEVATION



REAR ELEVATION



CONTACT US

For further information and/or technical advice please contact your local SMARTPLY Sales Representative or SMARTPLY Technical Support Personnel through any of our European offices.

UK: +44 (0) 1322 424900

Ireland: +353 5 181 0205

Germany: +49 32221097221

France: +33 975189830

Netherlands: +31 858886230

Belgium: +32 28086256

As we continually update our technical datasheets, please check on www.mdfosb.com that you have the latest version.

This leaflet is provided for information purposes only and no liability or responsibility of any kind is accepted by SMARTPLY EUROPE DAC or their representatives. SMARTPLY EUROPE DAC have used reasonable efforts to verify the accuracy of any advice, recommendation or information. SMARTPLY EUROPE DAC reserves the right to alteration of its products, production information and range without notice.

